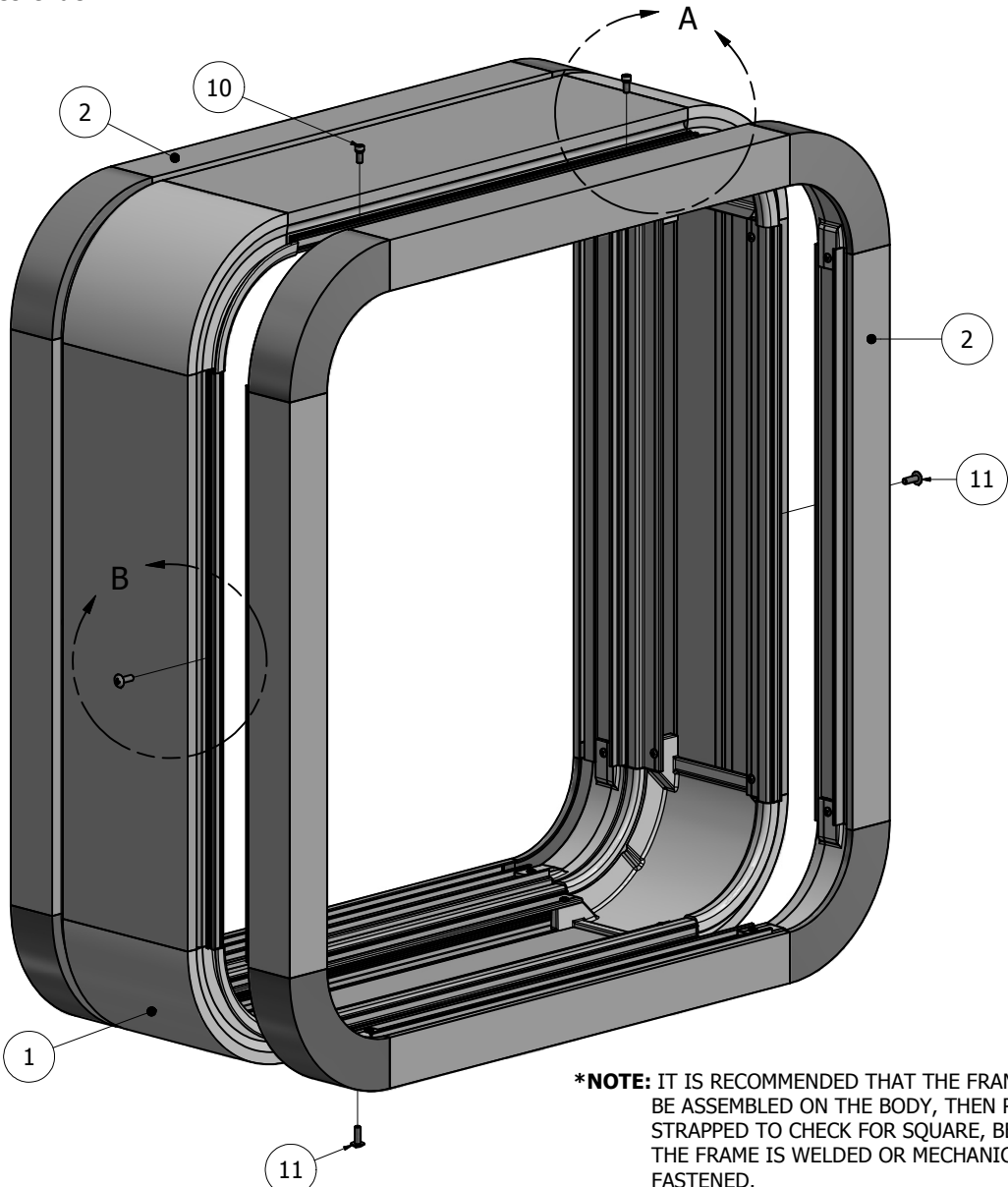
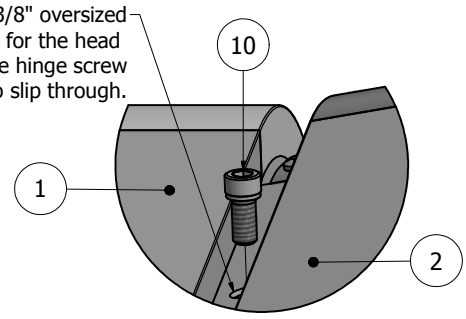


PARTS LIST			
ITEM	PART#	DESCRIPTION	NOTES
1	K2015/4075	Medium Body w/ 6in Radius Corners	Assembly
2	K2045/65/75/4210	2 1/4" Retainer and Dual Frame w/ 6in Radius Corners & Covers	Assembly
10	5170	Hinge Screw	Drill 3/8" pilot hole
11	5180	Closure Screw	Drill 5/16" pilot hole

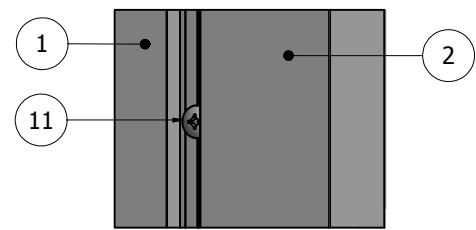
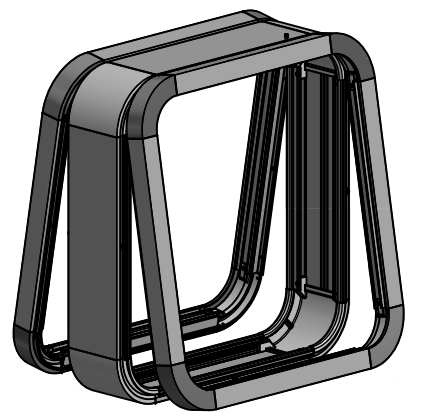
Ship To:  
Sales Order#



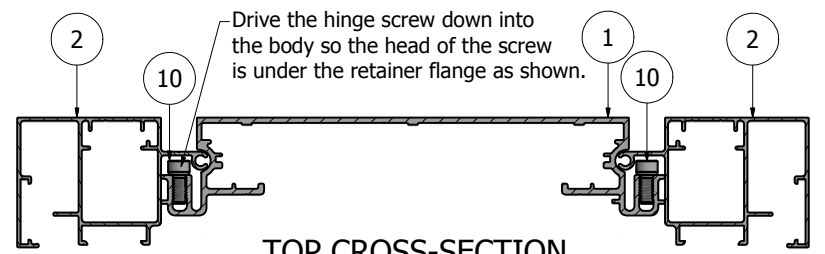
**\*NOTE:** Drill a 3/8" oversized hole for the head of the hinge screw to slip through.



DETAIL A



DETAIL B  
FRAME CLOSED



TOP CROSS-SECTION

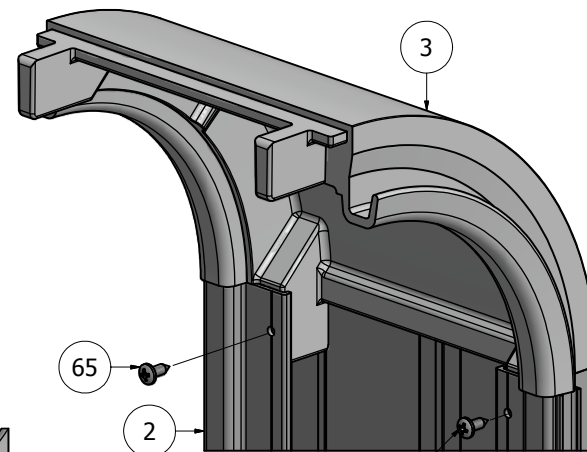
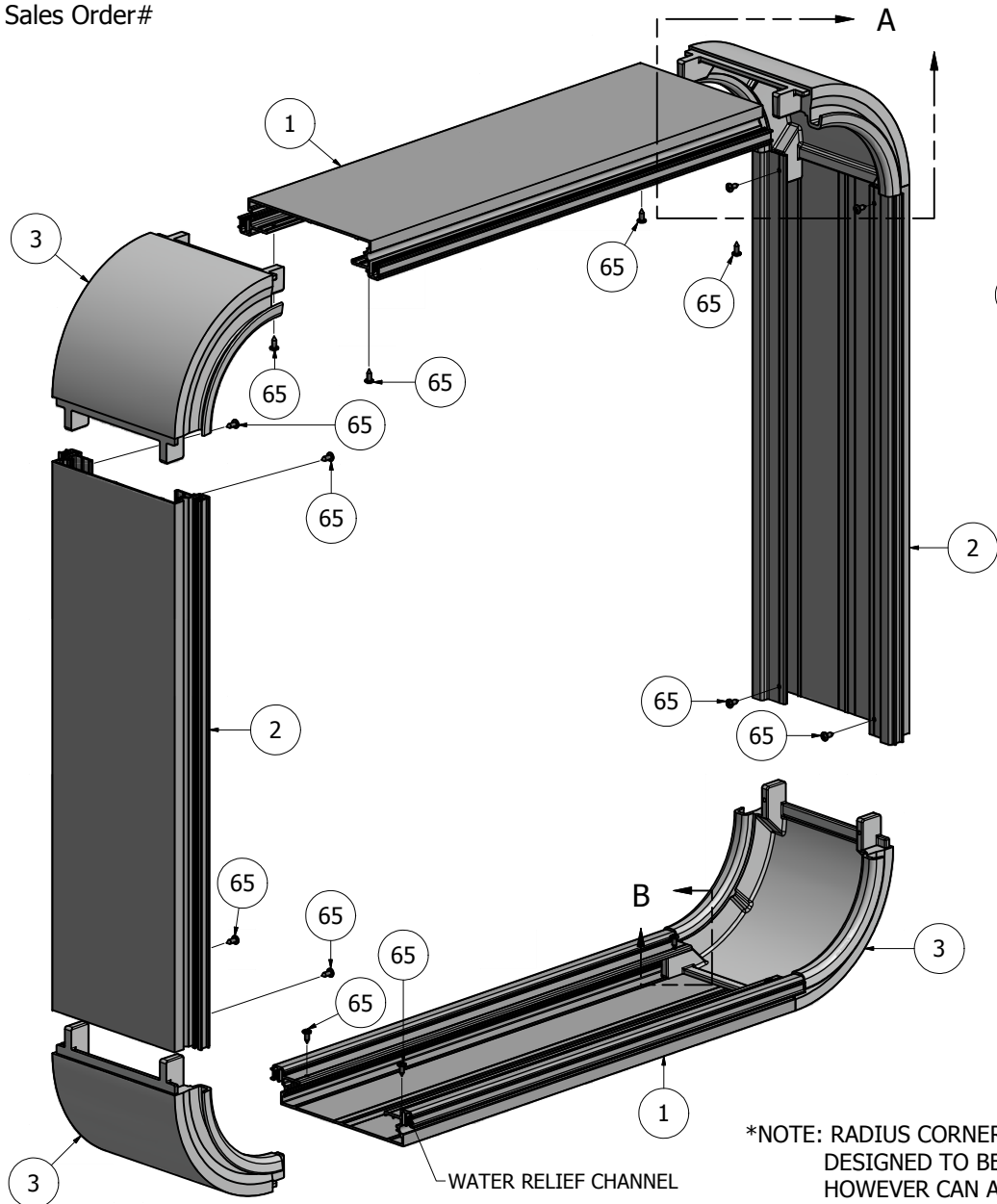
**NOTE: PRE-CUT KITS ARE NOT PRE-DRILLED.**  
(Holes shown in this drawing are for reference only. Drilling of pilot holes are to be done by fabricator.)

**\*NOTE:** IT IS RECOMMENDED THAT THE FRAME BE ASSEMBLED ON THE BODY, THEN RATCHET STRAPPED TO CHECK FOR SQUARE, BEFORE THE FRAME IS WELDED OR MECHANICALLY FASTENED.

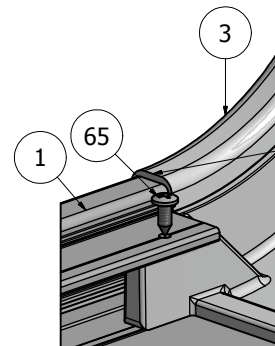
THIS DRAWING WAS CREATED AT NO CHARGE TO ASSIST YOU IN VISUALIZING OUR PROPOSAL. THE DRAWING HEREIN IS THE PROPERTY OF SIGNCOMP. PERMISSION TO COPY OR REVISE THIS DRAWING OR TO USE THIS DRAWING FOR PRODUCTION IS STRICTLY PROHIBITED AND CAN ONLY BE COPIED, REVISED OR USED FOR PRODUCTION WITH THE EXPRESSED WRITTEN PERMISSION OF SIGNCOMP.			
DRAWN	SBreihof	11/14/2012	
Centroid X:	0.000 in	TITLE	
Centroid Y:	0.000 in		
Principal Moments Ix:	0.000 in^4	Medium Body w/ 2 1/4" Retainer & Dual Frame and Cover and 6in Radius Corners - Assembly	
Principal Moments Iy:	0.000 in^4		
Section Modulus Ix:	0.000 in^3	DWG NO	REV
Section Modulus Iy:	0.000 in^3	<b>KMB/45/65/75/4545</b>	
			SHEET 1 OF 1

PARTS LIST			
ITEM	PART#	DESCRIPTION	NOTES
1	2015	Medium Body	Top & Bottom
2	2015	Medium Body	Sides
3	4075	Medium Body 6in Radius Corner	
65	5218	Radius Corner Screw	Drill 5/32" pilot hole

Ship To:  
Sales Order#

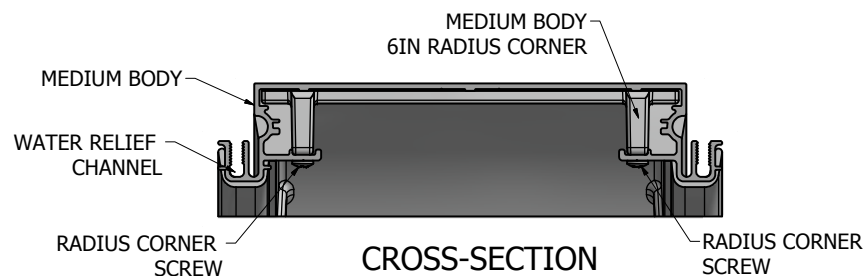


DETAIL A



DETAIL B

Caulk the joints where the Radius Diecast Corners and the Extrusion meet, yet making sure the water relief channel is not blocked, allowing the water to flow.



CROSS-SECTION

**NOTE: PRE-CUT KITS ARE NOT PRE-DRILLED.**

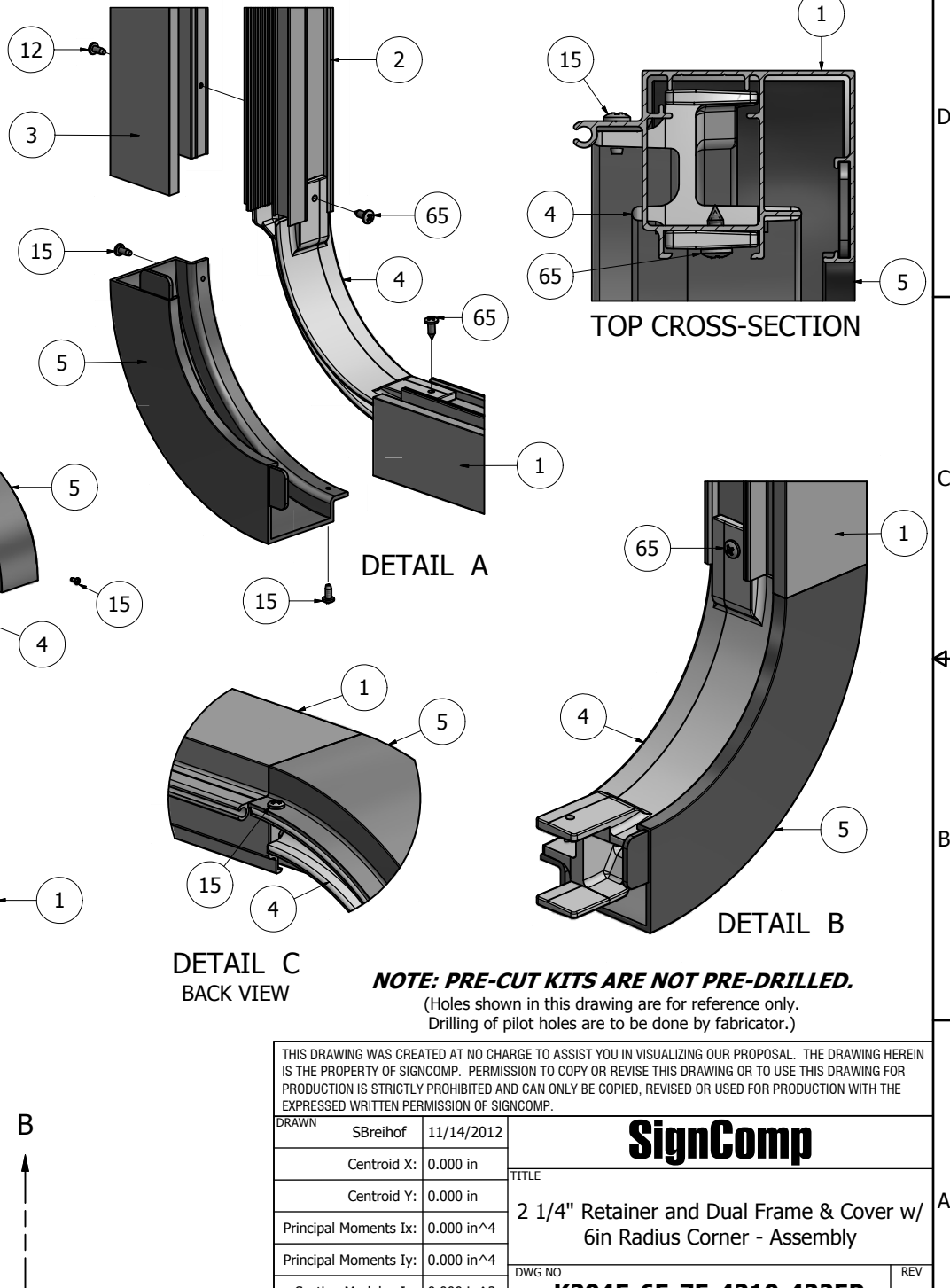
(Holes shown in this drawing are for reference only. Drilling of pilot holes are to be done by fabricator.)

THIS DRAWING WAS CREATED AT NO CHARGE TO ASSIST YOU IN VISUALIZING OUR PROPOSAL. THE DRAWING HEREIN IS THE PROPERTY OF SIGNCOMP. PERMISSION TO COPY OR REVISE THIS DRAWING OR TO USE THIS DRAWING FOR PRODUCTION IS STRICTLY PROHIBITED AND CAN ONLY BE COPIED, REVISED OR USED FOR PRODUCTION WITH THE EXPRESSED WRITTEN PERMISSION OF SIGNCOMP.

DRAWN	SBreihof	10/23/2012	<b>SignComp</b>
Centroid X:	0.000 in		
Centroid Y:	0.000 in		TITLE
Principal Moments Ix:	0.000 in <sup>4</sup>		Medium Body w/ 6in Radius Corners - Assembly
Principal Moments Iy:	0.000 in <sup>4</sup>		DWG NO
Section Modulus Ix:	0.000 in <sup>3</sup>		<b>KMB-4075</b>
Section Modulus Iy:	0.000 in <sup>3</sup>		REV

\*NOTE: RADIUS CORNERS ARE DESIGNED TO BE WELDED, HOWEVER CAN ALSO BE MECHANICALLY ASSEMBLED.

PARTS LIST			
ITEM	PART#	DESCRIPTION	NOTES
1	2045	2 1/4" Retainer	Top, Bottom & One Side
2	2065	Dual Frame	One Side
3	2075	2 1/4" Dual Frame Cover	One Side
4	4210	Dual Frame 6in Radius Corner	All 4 Corners
5	4225P	Dual Frame 6in Radius Cover	All 4 Corners
12	5195	Cover Screw	Pre-drill a 3/32" hole
15	5195	Radius Corner Cover Screw	Pre-drill a 3/32" hole
65	5218	Radius Corner Screw	Drill a 5/32" pilot hole



**NOTE: PRE-CUT KITS ARE NOT PRE-DRILLED.**  
 (Holes shown in this drawing are for reference only. Drilling of pilot holes are to be done by fabricator.)

THIS DRAWING WAS CREATED AT NO CHARGE TO ASSIST YOU IN VISUALIZING OUR PROPOSAL. THE DRAWING HEREIN IS THE PROPERTY OF SIGNCOMP. PERMISSION TO COPY OR REVISE THIS DRAWING OR TO USE THIS DRAWING FOR PRODUCTION IS STRICTLY PROHIBITED AND CAN ONLY BE COPIED, REVISED OR USED FOR PRODUCTION WITH THE EXPRESSED WRITTEN PERMISSION OF SIGNCOMP.

DRAWN	SBreihof	11/14/2012	<b>SignComp</b>
Centroid X:	0.000 in	TITLE	
Centroid Y:	0.000 in	2 1/4" Retainer and Dual Frame & Cover w/ 6in Radius Corner - Assembly	
Principal Moments Ix:	0.000 in^4	DWG NO	<b>K2045-65-75-4210-4225P</b>
Principal Moments Iy:	0.000 in^4	REV	
Section Modulus Ix:	0.000 in^3		
Section Modulus Iy:	0.000 in^3		

Ship To:  
Sales Order#